

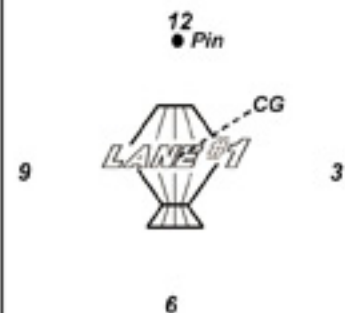


Cobalt BOMB

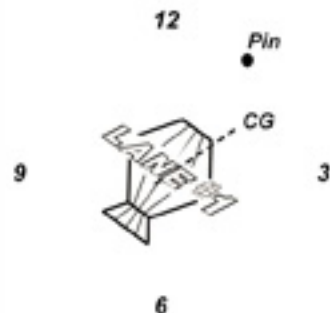
Drilling Specifications

Pin Position

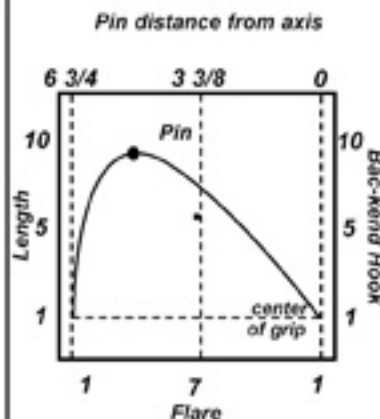
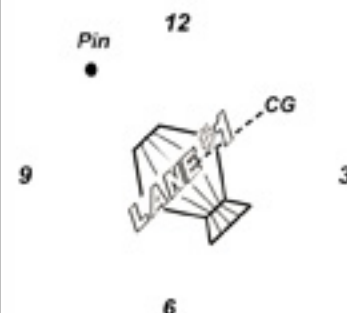
The Bomb's 12:00 pin, relative to the CG, makes this ball driller friendly for right & left-hand bowlers.



Turning the pin towards 3 O'clock, relative to the CG, will increase length.



Turning the pin towards 9 O'clock, relative to the CG, will decrease length.



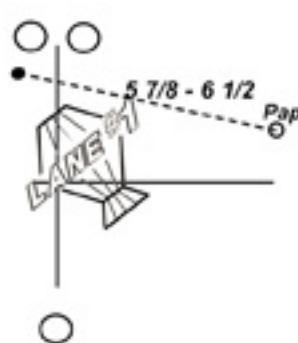
Drilling Recommendations

Label 1:30 pin



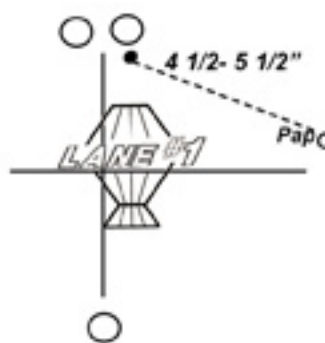
Flare 7 Back-end 6

Negative Pin Label



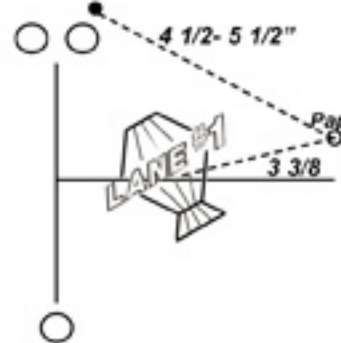
Flare 2 Back-end 6

Label Stacked



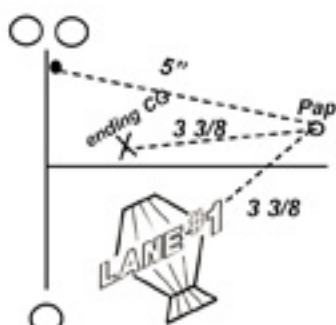
Flare 9 Back-end 9

CG Out Leverage



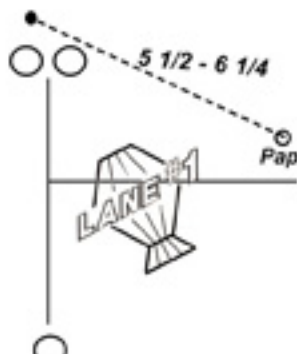
Flare 8 Back-end 8

Thumb Leverage



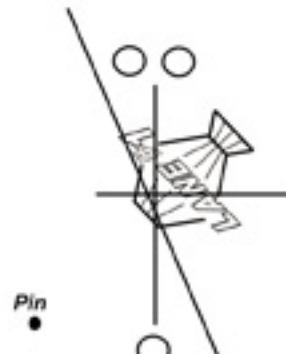
Flare 8 Back-end 7

Neg. Pin CG Strong



Flare 3 Back-end 8

Full Roller



Flare 8 Back-end 8

Notes

1. Pos. side, finger, & top wt., increase length and back-end.
2. Neg. side, thumb, & bottom, decrease length and back-end.
3. Axis holes decrease flare and back-end reaction.
4. Pins closer in and under fingers decrease length.
5. Pin-outs 3+'' and over fingers increase length and flip.
6. If ending center of gravity is on your pin, CG or on the same rotational plane as those, reaction is enhanced.